



CHARACTERISTICS

Enclosure and door with formed corners manufactured from 1.5 mm thick pre-satinized AISI 304L stainless steel sheet (AISI 316L on request). Flat mounting plate manufactured from 2.5 mm thick sendzimir sheet steel with slots in the corners. Hinges in stainless steel.

SUPPLY

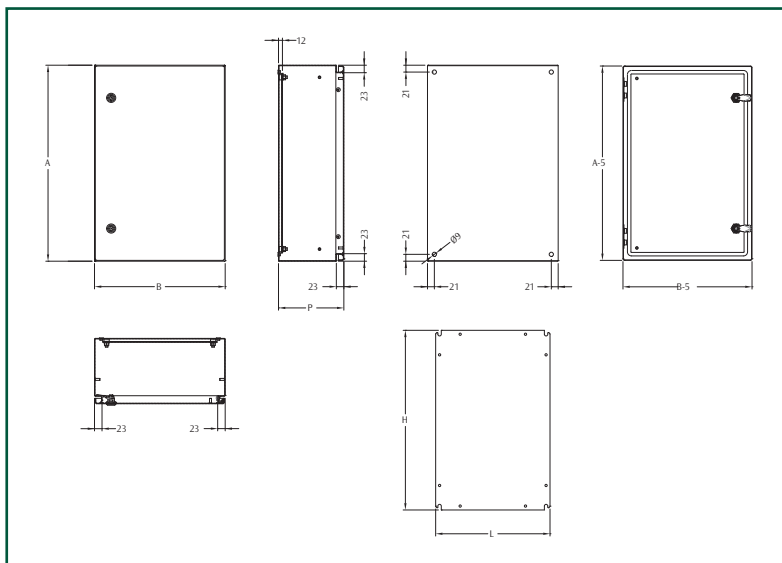
Box complete with:

- mounting plate
- door with locking system body in chromed zinc alloy and lever in stainless steel with \varnothing 3 mm double bar key, and silicone seal
- package with screws for earth connection and mounting plate.

PROTECTION RATING

- IP66 complying with IEC EN62208; EN60529
- NEMA 4X complying with UL508A; UL50
- protection degree guaranteed by the two-component silicone foam seal*
- impact resistance IK10 complying with IEC EN62208; EN62202.

* From size 600x800, box supplied with door rails already mounted.



STAINLESS STEEL BOX WITH SINGLE BLANK DOOR

| E COR CODE | BOX DIMENSIONS | | | MOUNTING PLATE DIM. | | NO. OF LOCKS / TYPE |
|---------------|----------------|------|-----|---------------------|------|------------------------|
| | B | A | P | L | H | |
| ECOR2-315X | 200 | 300 | 150 | 150 | 250 | 1 |
| ECOR3-315X | 300 | 300 | 150 | 300 | 300 | 1 |
| ECOR3-415X | 300 | 400 | 150 | 250 | 350 | 1 |
| ECOR3-420X | 300 | 400 | 200 | 250 | 350 | 1 |
| ECOR4-315X | 400 | 300 | 150 | 350 | 250 | 1 |
| ECOR4-420X | 400 | 400 | 200 | 350 | 350 | 1 |
| ECOR4-425X | 400 | 400 | 250 | 400 | 400 | 1 |
| ECOR4-520X | 400 | 500 | 200 | 350 | 450 | 1 |
| ECOR4-620X | 400 | 600 | 200 | 350 | 550 | 2 |
| ECOR4-625X | 400 | 600 | 250 | 400 | 600 | 2 |
| ECOR5-520X | 500 | 500 | 200 | 450 | 450 | 1 |
| ECOR5-525X | 500 | 500 | 250 | 500 | 500 | 1 |
| ECOR5-720X | 500 | 700 | 200 | 500 | 700 | 2 |
| ECOR5-725X | 500 | 700 | 250 | 450 | 650 | 2 |
| ECOR6-420X | 600 | 400 | 200 | 550 | 350 | 1 |
| ECOR6-620X | 600 | 600 | 200 | 550 | 550 | 2 |
| ECOR6-625X | 600 | 600 | 250 | 550 | 550 | 2 |
| ECOR6-630X | 600 | 600 | 300 | 550 | 550 | 2 |
| ECOR6-820X | 600 | 800 | 200 | 550 | 750 | 2 |
| ECOR6-825X | 600 | 800 | 250 | 550 | 750 | 2 |
| ECOR6-830X | 600 | 800 | 300 | 550 | 750 | 2 |
| ECOR6-1230X | 600 | 1200 | 300 | 550 | 1150 | ROD SYSTEM |
| ECOR8-830X | 800 | 800 | 300 | 750 | 750 | 2 |
| ECOR8-1030X | 800 | 1000 | 300 | 750 | 950 | 2 |
| ECOR8-1230X | 800 | 1200 | 300 | 750 | 1150 | ROD SYSTEM |

Note: to order the item in high grade AISI 316L, add the suffix "H" to the code. (i.e.: ECOR2-315XH).

CHARACTERISTICS

Enclosure and door with formed corners manufactured from 1.5 mm thick pre-satinized AISI 304L stainless steel sheet (AISI 316L on request). Flat mounting plate manufactured from 2.5 mm thick sendzimir sheet steel provided with slots in the corners. Hinges in stainless steel.

SUPPLY

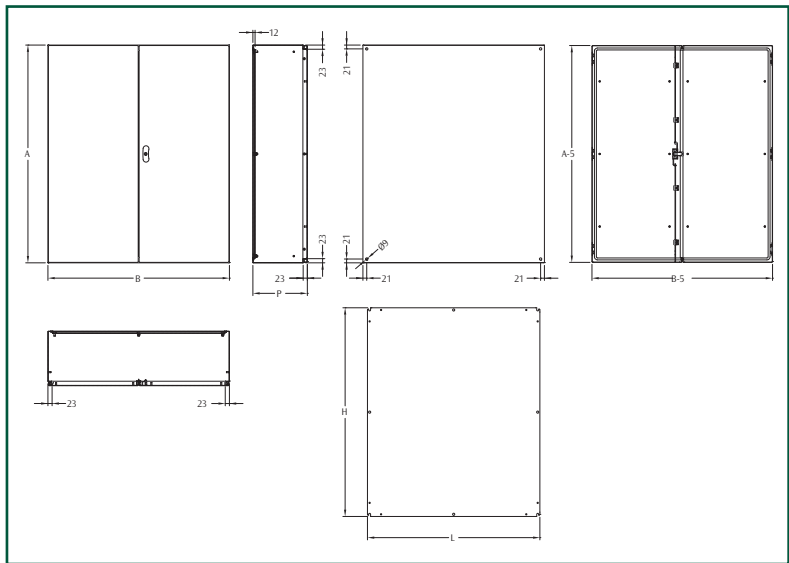
Box complete with:

- mounting plate
- door complete with \varnothing 3 mm double bar locking system and stainless steel lever
- package with screws for earth connection and mounting plate.



PROTECTION RATING

- IP66 complying with IEC EN62208; EN60529
- NEMA 12 complying with UL508A; UL50
- protection degree guaranteed by the two-component silicone foam seal
- impact resistance IK10 complying with IEC EN62208; EN62202.



STAINLESS STEEL BOX WITH DOUBLE BLANK DOOR

| E COR CODE | BOX DIMENSIONS | | | MOUNTING PLATE DIMENSIONS | |
|---------------|----------------|------|-----|---------------------------|------|
| | B | A | P | L | H |
| ECOR10-1030X | 1000 | 1000 | 300 | 950 | 950 |
| ECOR10-1230X | 1000 | 1200 | 300 | 950 | 1150 |

Note: to order the item in high grade AISI 316L, add the suffix "H" to the code. (i.e.: ECOR10-1030XH).



The requirements of the enclosures that are intended to be used in explosive atmosphere (ATEX) are high: the wide range of E COR - EEX boxes fully responds to both the standard required by the directive and the need of the market to have a product for increased safety.

CHARACTERISTICS

Structure and door with formed corners manufactured from 1.5 mm thick pre-satinized AISI304L stainless steel sheet (AISI316L on request). Flat mounting plate manufactured from 2.5 mm thick sendzimir sheet steel, with slots in the corners. Hinges in stainless steel. External anti-rotation and anti-slip stud M6 (H=15 mm) in AISI304L stainless steel, welded on the enclosure.

SUPPLY

Enclosure complete with:

- mounting plate
- door with locking system body in zinc alloy and lever in stainless steel with \varnothing 3 mm double bar key
- package with screws for earth connection and mounting plate.

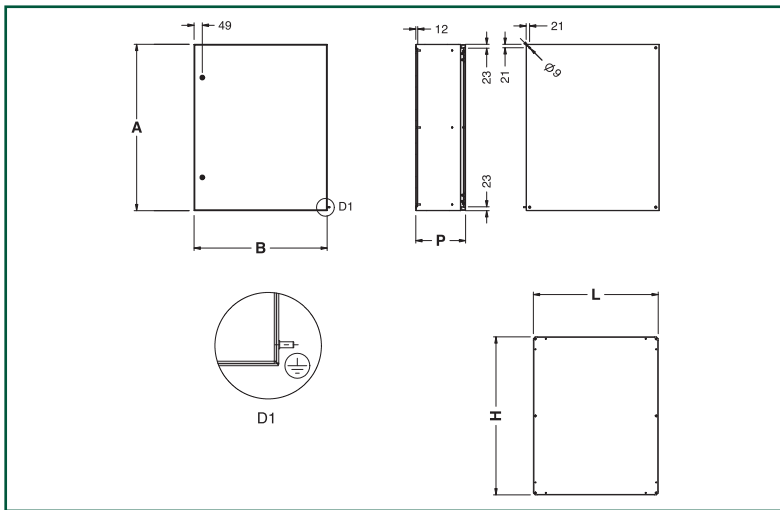
PROTECTION RATING

- IP66 complying with IEC EN62208; EN60529
- NEMA 4X complying with UL508A; UL50
- protection degree guaranteed by the two-component silicone foam seal
- impact resistance IK10 complying with IEC EN62208; EN62202.

CONFORMITY

- Ex II 2GD
- Ex e II T6
- Ex td A21 T85°C.

ETA wall-mounting stainless steel boxes E COR (see page 218) are in compliance with the European Directive 94/9/CE that aims to ensure the free circulation in the EU countries for the products concerned and it is applied to the equipment and protective systems indeed to be used in potentially explosive atmosphere (ATEX), for the presence of flammable substances in the form of gases, vapours, mists or dusts. According to the reference standards EN60079-0; 7 and EN61241-0; 1, boxes E COR - EEX are "electric enclosures" classified for category II and zones 1, 2, 21, 22 for gas and dust (GD) with protection method EX-e, EX-ia. EX-e protection methods are based on the idea of prevention; to comply with that the directive establishes a high structural level and restrictive features of equipments and components, and strict periodic tests of process on the approved products UNI EN13980 and ISO 9001.



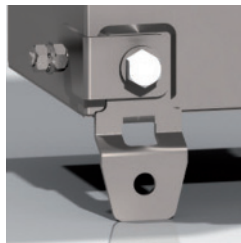
ELECTRIC ENCLOSURES

| E COR - EEX CODE | BOX DIMENSIONS | | | MOUNT. PLATE DIM. | | NO. OF LOCKS / TYPE |
|---------------------|----------------|------|-----|-------------------|------|------------------------|
| | B | A | P | L | H | |
| ECOR2-315EEX | 200 | 300 | 150 | 150 | 250 | 1 |
| ECOR3-415EEX | 300 | 400 | 150 | 250 | 350 | 1 |
| ECOR3-420EEX | 300 | 400 | 200 | 250 | 350 | 1 |
| ECOR4-315EEX | 400 | 300 | 150 | 350 | 250 | 1 |
| ECOR4-420EEX | 400 | 400 | 200 | 350 | 350 | 1 |
| ECOR4-520EEX | 400 | 500 | 200 | 350 | 450 | 1 |
| ECOR4-620EEX | 400 | 600 | 200 | 350 | 550 | 2 |
| ECOR5-520EEX | 500 | 500 | 200 | 450 | 450 | 1 |
| ECOR5-725EEX | 500 | 700 | 250 | 450 | 750 | 2 |
| ECOR6-420EEX | 600 | 400 | 200 | 550 | 350 | 1 |
| ECOR6-620EEX | 600 | 600 | 200 | 550 | 550 | 2 |
| ECOR6-625EEX | 600 | 600 | 250 | 550 | 550 | 2 |
| ECOR6-630EEX | 600 | 600 | 300 | 550 | 550 | 2 |
| ECOR6-820EEX | 600 | 800 | 200 | 550 | 750 | 2 |
| ECOR6-825EEX | 600 | 800 | 250 | 550 | 750 | 2 |
| ECOR6-830EEX | 600 | 800 | 300 | 550 | 750 | 2 |
| ECOR6-1230EEX | 600 | 1200 | 300 | 550 | 1150 | ROD SYSTEM |
| ECOR8-830EEX | 800 | 800 | 300 | 750 | 750 | 2 |
| ECOR8-1030EEX | 800 | 1000 | 300 | 750 | 950 | 2 |
| ECOR8-1230EEX | 800 | 1200 | 300 | 750 | 1150 | ROD SYSTEM |

Note: to order the item in high grade AISI 316L, add the suffix "H" to the code. (i.e.: ECOR6-830EEXH).

WALL MOUNTING BRACKETS SDWCX-010EEX

Special brackets designed for the standard wall-mounting stainless steel boxes E COR, that are already installed on-site and that are requiring compliance with ATEX with increased and intrinsic safety.



CHARACTERISTICS

Manufactured from 2.5 mm thick AISI316L stainless steel sheet.

SUPPLY

Includes 4 standard brackets + 1 bracket with external and welded stud M6.

Note: item available on request.

Stainless steel



* Product AtEx: Contact the ETA commercial office for boxes with tempered glass



CHARACTERISTICS

Enclosure manufactured from 1.5 mm thick pre-patinized AISI 304L stainless steel sheet (AISI 316L on request). Plexi door with formed corners, silicone seal and 4.0 mm thick plexiglass (fixed with a frame). Flat mounting plate manufactured from 2.5 mm thick sendzimir sheet steel with slots in the corners. Hinges in stainless steel.

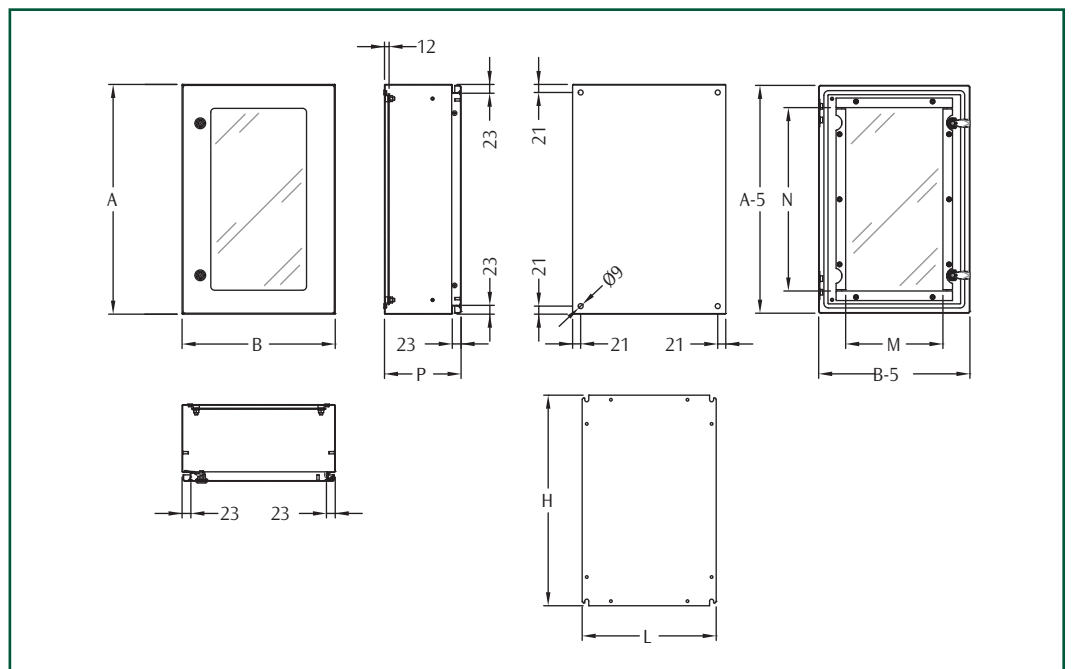
SUPPLY

- Box complete with:
- mounting plate
 - door with locking system body in zinc alloy and lever in stainless steel with \varnothing 3 mm double bar key, and silicone seal
 - package with screws for earth connection and mounting plate.

PROTECTION RATING

- IP66 complying with IEC EN62208; EN60529
- NEMA 12 complying with UL508A; UL50
- protection degree guaranteed by the two-component silicone foam seal.
- impact resistance IK10 complying with IEC EN62208; EN62202.

Note: product ATEX: contact the ETA commercial office for E COR boxes with tempered glass



Stainless steel

STAINLESS STEEL BOX WITH PLEXI DOOR

| E COR CODE | BOX DIMENSIONS | | | DOOR SPACE | | MOUNTING PLATE DIM. | | NUMBER OF LOCKS |
|---------------|----------------|-----|-----|------------|-----|---------------------|-----|--------------------|
| | B | A | P | M | N | L | H | |
| ECOR3-420PVX | 300 | 400 | 200 | 150 | 275 | 250 | 350 | 1 |
| ECOR4-520PVX | 400 | 500 | 200 | 250 | 375 | 350 | 450 | 1 |
| ECOR4-620PVX | 400 | 600 | 200 | 250 | 475 | 350 | 550 | 2 |
| ECOR5-725PVX | 500 | 700 | 250 | 350 | 575 | 450 | 650 | 2 |
| ECOR6-820PVX | 600 | 800 | 200 | 450 | 675 | 550 | 750 | 2 |
| ECOR6-825PVX | 600 | 800 | 250 | 450 | 675 | 550 | 750 | 2 |
| ECOR8-1030PVX | 600 | 800 | 250 | 450 | 675 | 550 | 750 | 2 |

Note: to order the item in high grade AISI 316L, add the suffix "H" to the code. (i.e.: ECOR4-620PVXH).

FUNCTIONAL FRAME ECMI

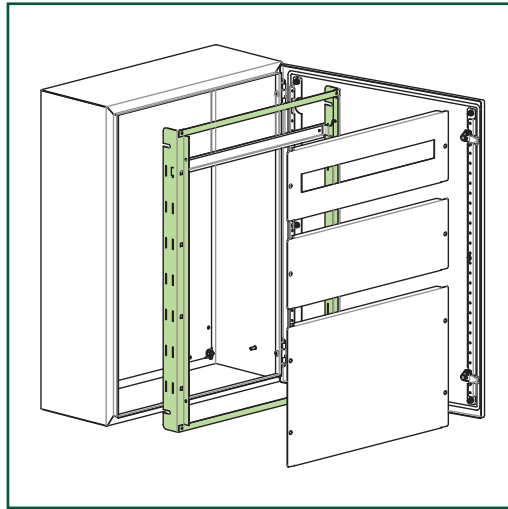
CHARACTERISTICS

Internal frame for the assembly of modular panels and DIN rails. Manufactured from 1.5 mm thick stainless steel sheet AISI304L (on request AISI316L).

SUPPLY

Includes 1 piece with mounting accessories.

* For boxes with D=150 mm, the functional frame is not used



FUNCTIONAL FRAME

| ECMI CODE | DIMENSIONS | | DESCRIPTION |
|--------------|------------|--------|---------------------------|
| | WIDTH | HEIGHT | |
| ECMI-040060X | 400 | 600 | 3 rows for 14 DIN modules |
| ECMI-060080X | 600 | 800 | 4 rows for 14 DIN modules |
| ECMI-080100X | 800 | 1000 | 5 rows for 14 DIN modules |

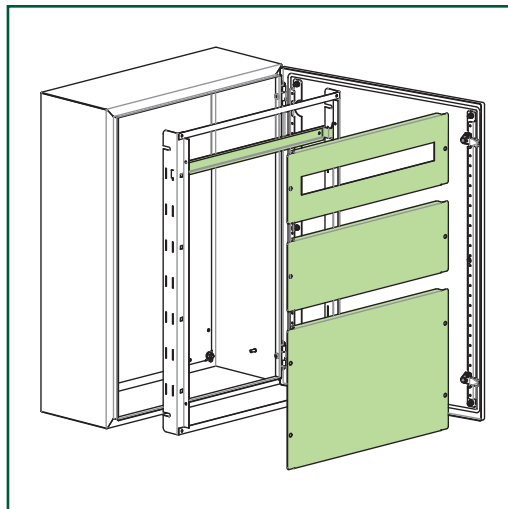
MODULAR PANELS ECPM/ECAV

CHARACTERISTICS

Modular panels manufactured from 1.5 mm thick stainless steel sheet AISI304L (AISI 316L on request). Available in blank version or for DIN rail, they can be easily mounted on E COR boxes using the functional frame ECMI.

SUPPLY

Includes 1 piece with mounting accessories (ECPM panel including 2 brackets and DIN rail).



Stainless steel

MODULAR PANELS FOR DIN RAILS*

| ECPM CODE | DIMENSIONS | | NO. OF MODULES |
|--------------|------------|--------|-------------------|
| | WIDTH | HEIGHT | |
| ECPM-040180X | 400 | 180 | 14 |
| ECPM-060180X | 600 | 180 | 25 |
| ECPM-080180X | 800 | 180 | 36 |

* DIN rails and brackets included

MODULAR BLANK PANELS

| ECAV CODE | DIMENSIONS | |
|--------------|------------|--------|
| | WIDTH | HEIGHT |
| ECAV-040180X | 400 | 180 |
| ECAV-060180X | 600 | 180 |
| ECAV-060360X | 600 | 360 |
| ECAV-080180X | 800 | 180 |
| ECAV-080360X | 800 | 360 |

DIN RAIL WITH BRACKETS

| ECDI CODE | DIMENSIONS | | NO. OF MODULES |
|--------------|------------|--------|-------------------|
| | WIDTH | HEIGHT | |
| ECDI-014040 | 400 | 140 | 14 |
| ECDI-025060 | 600 | 250 | 25 |
| ECDI-036080 | 800 | 360 | 36 |

INNER DOOR ECPO

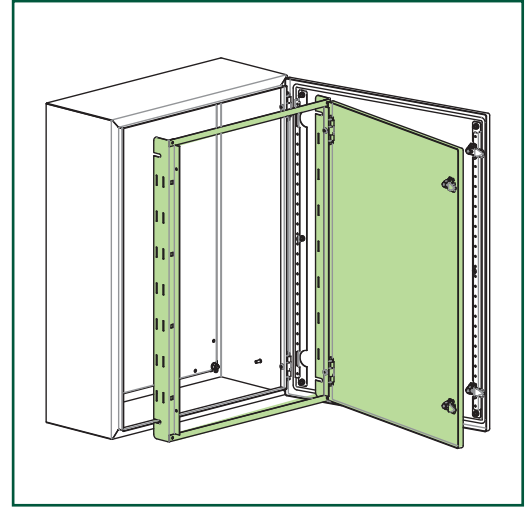
CHARACTERISTICS

Manufactured from 1.5 stainless steel sheet AISI304L (on request AISI316L).

SUPPLY

Includes 1 piece with ECMI frame, hinges, closing systems and screws.

| INNER DOOR | | |
|--------------|------------|--------|
| ECPO CODE | DIMENSIONS | |
| | WIDTH | HEIGHT |
| ECPO1-34X | 300 | 400 |
| ECPO1-45X | 400 | 500 |
| ECPO1-46X | 400 | 600 |
| ECPO1-57X | 500 | 700 |
| ECPO1-68X | 600 | 800 |
| ECPO1-810X | 800 | 1000 |



LOCK WE001X

For food industry or special applications in harsh environments where high hygienic standards are required, a specific locking system is available.



RAIN CANOPY ECTT

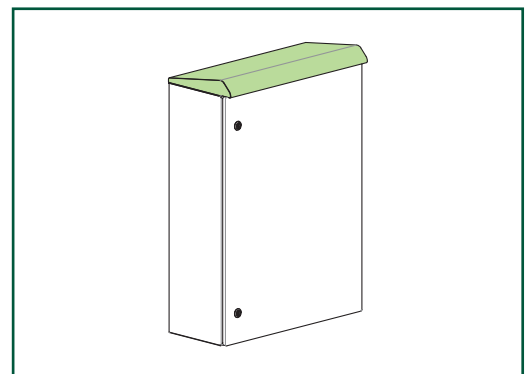
Particularly suitable for outdoor installations where it is required an additional protection against atmospheric agents.

CHARACTERISTICS

Manufactured from 1.5 mm thick AISI 304L stainless steel sheet (AISI 316L available on request).

SUPPLY

Includes 1 piece with mounting accessories.



| CANOPY | | |
|--------------|------------|--------|
| ECTT CODE | DIMENSIONS | |
| | WIDTH | HEIGHT |
| ECTT1-04X | 400 | 200 |
| ECTT1-05X | 500 | 200 |
| ECTT2-05X | 500 | 250 |
| ECTT1-06X | 600 | 250 |
| ECTT2-08X | 800 | 300 |

PLINTH EUZX

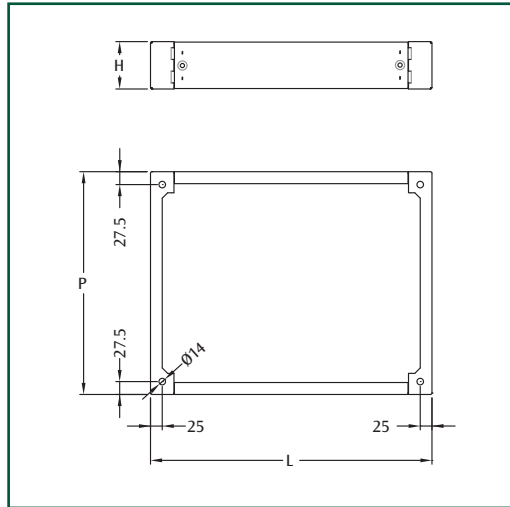
CHARACTERISTICS

Front crosspieces and side crosspieces with integrated corners manufactured from 2.0 mm thick AISI 304L stainless steel (AISI 316L on request).

SUPPLY

The plinth is made up of:

- front crosspieces: supply includes 2 pieces
- side crosspieces with integrated corners: supply includes 2 pieces with mounting screws.



DIMENSIONAL SPECIFICATIONS

| BOX DIMENSIONS | | PLINTH DIM. | |
|----------------|-----|-------------|-----|
| L | P | L | P |
| 600 | 300 | 600 | 275 |
| 800 | 300 | 800 | 275 |
| 1000 | 300 | 1000 | 275 |

SIDE CROSSPIECES WITH INTEGRATED CORNERS E COR

| EUZX CODE | DESCRIPTION | CROSS. HEIGHT |
|--------------|---|---------------|
| | | MM |
| EUZX-P0300P | SIDE CROSSPIECES WITH INTEGRATED CORNERS FOR PLINTH D=300 | 100 |
| EUZX-P0300PD | SIDE CROSSPIECES WITH INTEGRATED CORNERS FOR PLINTH D=300 | 200 |

FRONT CROSSPIECES E COR

| EUZX CODE | DESCRIPTION |
|--------------|-------------------------------------|
| EUZX-L0600M | FRONT CROSSPIECES FOR PLINTH W=600 |
| EUZX-L0800M | FRONT CROSSPIECES FOR PLINTH W=800 |
| EUZX-L1000M | FRONT CROSSPIECES FOR PLINTH W=1000 |

Note: to order the plinth H=200 mm, order 2 packages of front crosspieces (i.e. Plinth H=200 mm dim. 600x300: 1 x EUZX-P0300PD + 2 x EUZX-L0600M).

Note: to order the item in higher grade AISI316L, add the suffix "H" to the code (i.e. EUZX-P0400PH).

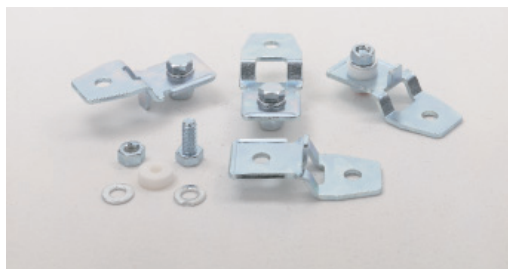
WALL MOUNTING BRACKETS SDWCX-010

Manufactured from 2.5 mm thick AISI316L stainless steel.

SUPPLY

Includes 4 pieces.

Note: SDWCX-010EEX brackets available for compliance with ATEX (with intrinsic and increased safety).



Stainless steel