

Rack 19"

The boxes cover a range from 3 to 21 HE and are available in 2 depths with a large cable entry. The locking system operating from the front of the box guarantees the sealing of the enclosure. The excellent appearance is achieved by external silk-screen.

CHARACTERISTICS

Three sections box manufactured from 1.5 mm thick press bent sheet steel.

Door manufactured from 2.0 mm thick sheet steel with 4 mm external silk-screen printed plexiglas complete with closing system \varnothing 3 mm double bar key. Supply includes mounting plate manufactured from 2.5 mm thick sendzimir sheet steel.

PAINT FINISH

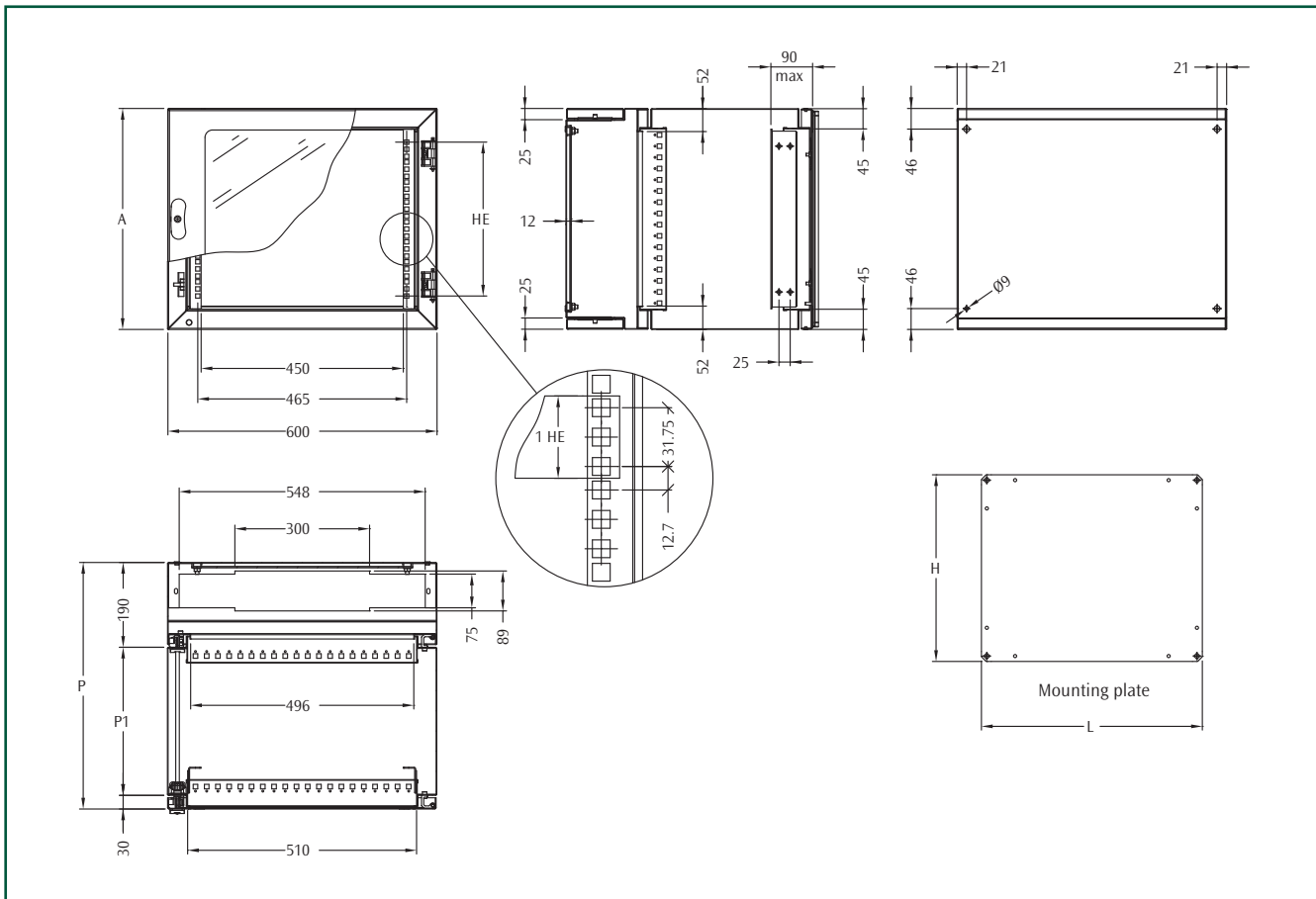
ETA standard epoxy polyester powder coating.
Colour: RAL 7035 textured finish.

PROTECTION RATING

IP55.

RACK BOXES

CR CODE	DIMENSIONS			MOUNTING PLATE		HE
	A	P	P1	L	H	
CR0345	226	450	230	492	150	3
CR0355	226	550	330	492	150	3
CR0645	359	450	230	492	283	6
CR0655	359	550	330	492	283	6
CR0945	492	450	230	492	416	9
CR0955	492	550	330	492	416	9
CR1245	626	450	230	492	550	12
CR1255	626	550	330	492	550	12
CR1545	759	450	230	492	683	15
CR1555	759	550	330	492	683	15
CR1845	892	450	230	492	816	18
CR1855	892	550	330	492	816	18
CR2145	1026	450	230	492	950	21
CR2155	1026	550	330	492	950	21



Rack 19"

RACK FRAME STTR

CHARACTERISTICS

Rack door and frame manufactured from 2.0 mm thick sheet steel.

PAINT FINISH

ETA standard epoxy polyester powder coating.
Colour: RAL 7035 textured finish.

PROTECTION RATING

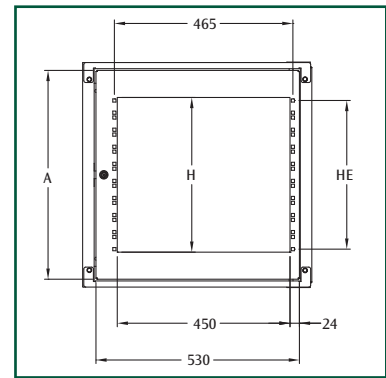
- external: as box
- internal: IP20.

SUPPLY

Includes:

- rack frame
- rack door
- \varnothing 3 mm double bar locking system
- mounting accessories

Note: see page 155 for the complete range of boxes and wall-mounted boxes ST (with blank or plexi door and with single or double door)



RACK FRAME

STTR CODE	FRAME DIMENSIONS			FOR BOXES	
	A	H	HE	ST	STP
STTR1103	343	136	3	ST6430	STP6430
STTR1106	343	269	6	ST6430	STP6430
STTR1109	543	403	9	ST6630	STP6630
STTR1112	743	536	12	ST6830	STP6830
STTR1115	743	669	15	ST6830	STP6830